



Product Catalogue

**Wall Mounted
Self Contained
Air Conditioning**



Model - 50 and 60 Hz

**SWMB 020
SWMB 030
SWMB 040
SWMB 050**



Contents

Features and Benefits	3
Model Number	4
Dimensions	6
Performance Data	7
Electrical Data	15
Options	17
Air Filters	20
Mechanical Specifications	21
Conversion Table	23

Features and Benefits

The TRANE, a world leader in HVAC industry, has developed another option to meet the needs of our customers.

Trane's *Wall Mounted* self contained units.

Built to provide not only the indoor comfort but also the confidence that the unit is reliable, durable, easy to install and maintain.

The *Wall Mounted* line has been designed to satisfy the demands of the international markets.

IAQ standards, microcontrols and simplified maintenance were all considered during its design.

Features and Benefits are:

Capacity (2 a 5 Ton)

The line SWMB includes of the capacities of 2, 3, 4 and 5 Ton, assisting the demands of the international market.

High durability

The components of the line SWM were selected to support the most rigid climatic conditions, maintaining the durability of the equipments Trane.

- Cabinets is constructed of galvanized steel sheet, surface treatment with shop-primer of adherence, anti-corrosive, following by finish with synthetic enamel of gray color cured in greenhouse .

- Screws used are stainless steel 304 or Dacrome ® system*, that provide high durability even submitted to the aggressive atmosphere.

- All compressors of the Wall Mounted line are Scroll type. They are of high efficiency using ports instead of valves, which eliminates possible breakdowns.

- Pressure gauge of control of condenser, allowing that the conditioning operate usually in the period of lowed temperature of the external air.

Indoor Air Quality - IAQ

- The case has been insulated with BIDIM insulation.

- In accordance to the ASHRAE Standard 62-89 for Indoor Air Quality, Trane has developed for the drain pan. This design insures proper drainage, preventing conditions of water stagnation that could result in microbial growth.

Trouble-Free Installation and Servicing.

All the *Wall Mounted* units :

- Factory installed options and testing: Reduces field labor and installation risk and improves system reliability.

- Easy installation ("plug-in").

- The SWMB has two options of installation of the compressor and of the refrigerating circuit (left or right), facility access for inspection and maintenance.

- Trouble-free access to the electrical panel and the filters for the side of behind (external to the container).

- The units of 4 Ton and 5 Ton are equipped with service valve for the suction line and for the compressor discharge, for units of 2Ton and 3 Ton the service valve is option.

Trane's Saving Cycle for temperature or enthalpy (opcion)

This system compares the conditions of the external air with the value adjusted in the controller, and when the same ones are with temperature or enthalpy below, it opens the damper for introducing 100% outside air to the indoor container. This way, it allows great energy saving to the facilities of telecommunications.

Emergency Ventilation System

It allows that, in the case of lack of energy the evaporator fan motor is not turned off, flowing external air for the indoor container (since the installation has monophase supply of energy in 220 Vac). This eliminates the need of installation of independent flowing, reducing the initial cost of the work.

High Sensible Heat Capacity

It assists to the typical thermal load of the facilities of telecommunications.

Low noise level

Trane's Wall Mounted units, they were especially designed for applications in the residential sectors, which demand low noise level.

Control System

The Trane, with wide experience in controls, puts to the disposition several options of systems of controls, with the objective of assisting to differents demands of market.

Electric Heating

Electric resistances of the tubular type in 3,0 KW and 4,5 KW .(options)



Model Number

BASIC PRODUCT DEFINITION															GENERALS ACCESS.					REFRIG. ACCESS.					ELECTRICS ACCESS.					SPE					
S	W	M	B	0	2	0	3	D	2	L	A	0	0	0	0	0	0	0	0	0	0	0	0	0	0	0	0	0	0	0	0	0	0	0	S
1	2	3	4	5	6	7	8	9	10	11	12	13	14	15	16	17	18	19	20	21	22	23	24	25	26	27	28	29	30	31	32	33	34	35	36

Digits 1, 2 and 3 - Product Line
SWM = Self Contained Wall Mounted

Digit 4 - Project Sequence
B = Outdoor unit standard Cabinet (2, 3, 4 and 5 TON)

Digits 5,6 and 7 - Nominal Capacity
020 = 2 TON Nominal
030 = 3 TON Nominal
040 = 4 TON Nominal
050 = 5 TON Nominal

Digit 8 - Electrical Supply
1 = 220/60/1 (Only 2 and 3 TON)
3 = 220/60/3
4 = 440/60/3
K = 380/60/3
H = 380/50/3

Digit 9 - Compressor mounting side
D = Right
E = Left

Digits 10 - Filter Type
1 = FG0 eletrostatic Filter
2 = G4 glass wool filter
3 = G0 eletrostatic + G4 glass wool filter

Digits 11 - Market Region
L = Local Market (Brazil)
E = Export (LAR)
R = Export (Others)

Digit 12, 13 - Service Digit
A0 = Service Digit A0

Digit 14, 15 - Reserved
00 = Reserved (Not Aplicable)

Digit 16 - Wood Package
0 = No
1 = Yes

Digit 17 - Yellow Finn - Coil
0 = No
1 = Yes

Digit 18 - Emergency ventilation / Economizer
0 = No
1 = With Emergency ventilation
2 = With Emergency ventilation + Economizer for Temperature
3 = With Emergency ventilation + Economizer for Enthalpy

Digit 19 - Return Grille (Aluminium)
0 = No
1 = Yes

Digit 20 - Condenser Protection grid
0 = No
1 = Yes

Digit 21 - Sensors (Differential Pressure) (Obrigatorio opção 1 ou 3 se digito 30 = 1 ou 2)
0 = No
1 = Airflow Sensor (fan status)
2 = Dirty filter Sensor
3 = Airflow Sensor + Dirty filter Sensor

Digit 22, 23 - Reserved
00 = Reserved (Not Aplicable)

Digit 24 - High pressure switch Rearme Manual
0 = No
1 = Yes

Digit 25 - Service Valve
0 = No
1 = Yes

Digit 26 - Sight glass
0 = No
1 = Yes

Digit 27 - Refrigerant
1 = R407c

Digit 28, 29 - Reserved
00 = Reserved (Not Aplicable)

Digit 30 - Electric Heating - (Option 1 and 2 can only be chosen if digit 21 = 1 or 3)
0 = No
1 = Electric Heating 3.0kW - 1 Stage
2 = Electric Heating 4.5kW - 1 Stage

Digits 31 - Control (Thermostat)
0 = No control (no thermostat)
A = Bulb thermostat (Installed in Return)
B = Standard Thermostat (Installed in Environment)
C = Programable Thermostat (Installed in Environment)
D = Lead Lag (Installed in Environment)

Digit 32 - Power Factor Correction Capacitor (Except 220V / 60Hz / 1Ph)
0 = No
1 = Yes

Digit 33 - Local/Remote Key
0 = No
1 = Yes

Digit 34, 35 - Reserved
00 = Reserved (Not Aplicable)

Digits 36 - Special Product Digit Control (SPE)
S = Standard Product (wo/ SPE)
Z = Special Product (w/ SPE)

General Data

Table 2 - General Data

Models	SWMB 020		SWMB 030		SWMB 040		SWMB 050	
Nominal Ton	2		3		4		5	
	Kcal	MBH	Kcal	MBH	Kcal	MBH	Kcal	MBH
Model 60 Hz								
Total Eff (1)	6.930	27,50	9.248	36,70	12.071	47,90	14.314	56,60
Sensible Effective Capacity(1)	5.922	23,50	6.829	27,10	9.677	38,40	10.559	41,90
Total Effective Capacity (2)	6.678	26,50	8.870	35,20	11.592	46,00	13.910	55,20
Sensible Effective Capacity (2)	5.821	23,10	6.678	26,50	9.475	37,60	10.382	41,20
Total Effective Capacity (3)	6.350	25,20	8.417	33,40	11.012	43,70	13.381	53,10
Sensible Effective Capacity (3)	5.670	22,50	6.502	25,80	9.246	36,70	10.181	40,40
Model 50 Hz								
Total Eff (1)	6.174	24,50	8.366	33,20	10.786	42,80	12.852	51,00
Sensible Effective Capacity(1)	5.594	22,20	6.476	25,70	9.148	36,30	9.979	39,60
Total Effective Capacity (2)	5.922	23,50	8.039	31,90	10.357	41,10	12.499	49,60
Sensible Effective Capacity (2)	5.494	21,80	6.350	25,20	8.996	35,70	9.828	39,00
Total Effective Capacity (3)	5.645	22,40	7.610	30,20	9.853	39,10	12.020	47,70
Sensible Effective Capacity (3)	5.342	21,20	6.174	24,50	8.770	34,80	9.652	38,30
Operational Nominal Value								
Total Nominal Consumption (kW)	3,49		4,59		5,59		6,59	
Total Nominal Current (A)	12,80		16,20		19,89		22,63	
Physical Dymensions								
Width (mm)	930		930		1030		1030	
Depth (mm)	600		600		600		600	
Height (mm)	1.872		1.872		2.272		2.272	
W (kg)	231		231		277		277	
Compressor Data								
Type	Scroll		Scroll		Scroll		Scroll	
Quantity	1		1		1		1	
Evaporator Coil								
Rows	3		3		3		3	
FPF (fins per feet)	132		132		132		132	
Finned type	Corrugated aluminum fins							
Evaporator Fan								
Type	Centrifugal		Centrifugal		Centrifugal		Centrifugal	
Quantity	2		2		2		2	
Motor 220V/50-60Hz/1f (CV - pólos)	3/4-6		3/4-6		3/4-6		3/4-6	
Air Flow (m ³ /h) / CFM - 60 Hz	2264 / 1332		2264 / 1332		3491 / 2054		3491 / 2054	
Air Flow (m ³ /h) / CFM - 50 Hz	1971 / 1160		1971 / 1160		3041 / 1790		3041 / 1790	
Condenser Coil								
Rows	4		4		4		4	
FPF (fins per feet)	144		144		144		144	
Finned type	Corrugated aluminum fins							
Condenser Fan								
Type	Axial		Axial		Axial		Axial	
Quantity	1		1		1		1	
Motor 220V/50-60Hz/1f (CV - pólos)	1/2-6		1/2-6		1/2-6		1/2-6	

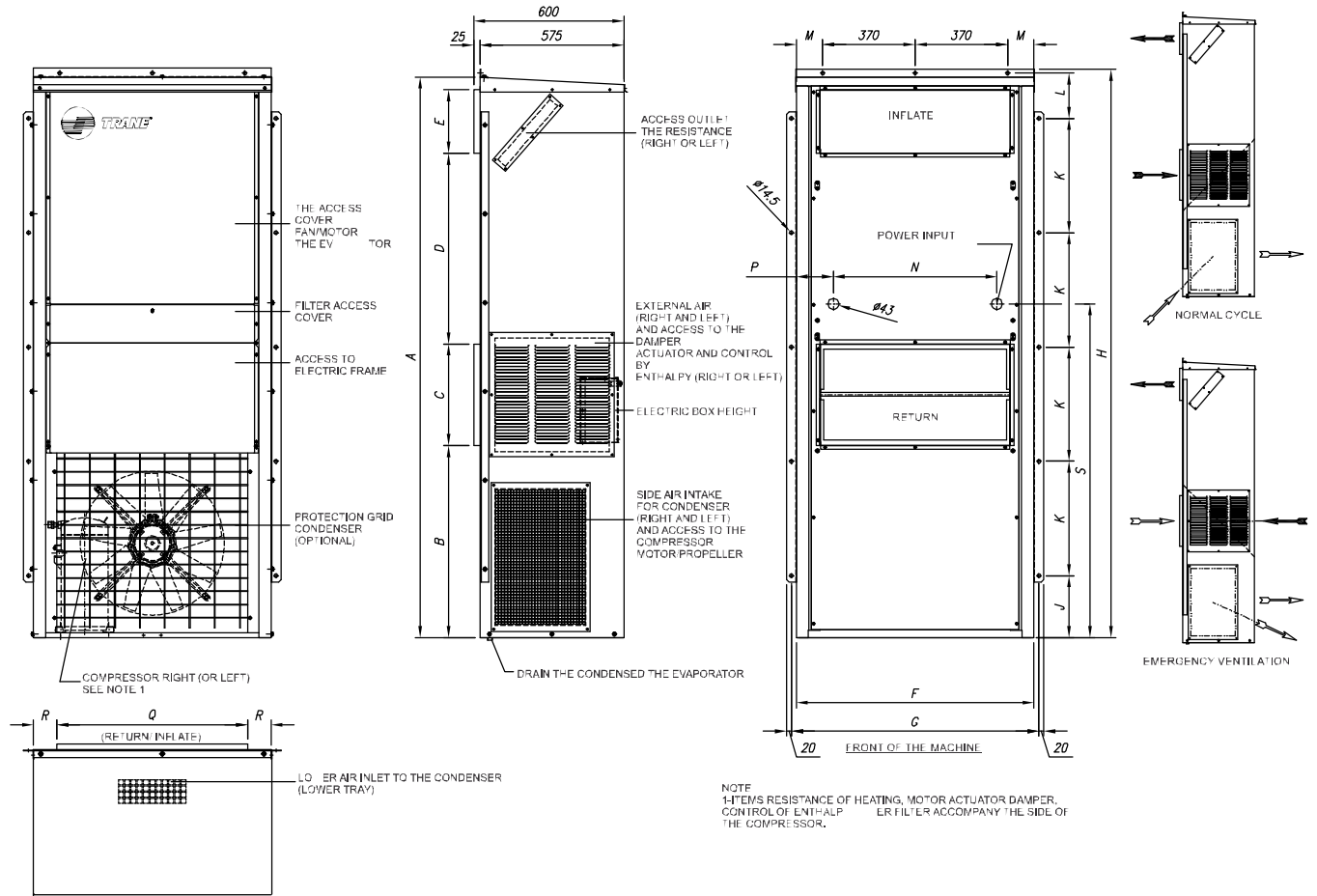
NOTES:

- (1) Total Gross Capacity of air cooled condenser, based on 29,5°C (85°F) of external air temperature, 27,0° (80,5 °F) DB / 19,5° C (67 °F) WB of return air temperature.
- (2) Total Gross Capacity of air cooled condenser, based on 35°C (95°F) of external air temperature, 27,0° (80,5 °F) DB / 19,5° C (67 °F) WB of return air temperature.
- (3) Total Gross Capacity of air cooled condenser, based on 46°C (115°F) of external air temperature, 27,0° (80,5 °F) DB / 19,5° C (67 °F) WB of return air temperature .
- (4) Electrical data are for (220V/60Hz/ 3 phase) , the evaporator fan and condenser fan motors are always single phase.
- (5) The voltage consumption data do not the electrical reheating.

Dimensions

SWMB

Figure 1 - SWMB 020/030/040/050 Physical Dimensions



MODEL	A	B	C	D	E	F	G	H	J	K	L	M	N	P	Q	R	S
SWMB 020/030	1840	670	353	460	200	850	890	1872	115	410	102	55	600	125	708	71	1109
SWMB 040/050	2240	768.5	406	762	254	950	990	2272	248	457	181.5	105	654	148	762	94	1334

Performance Data

60 Hz

Table 03 - Gross Cooling Capacities SWMB 020 - 60 Hz

Performance Data (M B H) - 60 Hz											English
MODEL											SWMB-020
Air Flow (CFM)											1333
EWB TC	EWB TE	Entering Wet Bulb Temperature (°F)									
(°F)	(DB)	61			67			73			
		TGC	SHC	Consumption	TGC	SHC	Consumption	TGC	SHC	Consumption	
85.0	75.0	25.06	25.32	2.20	27.65	19.76	2.23	30.62	12.40	2.24	
	81.0	26.50	27.05	2.22	27.55	25.31	2.23	30.62	18.65	2.24	
	85.0	27.84	28.42	2.23	27.94	28.52	2.23	30.62	23.93	2.24	
95.0	90.0	29.28	29.89	2.24	29.28	29.89	2.24	30.62	29.11	2.24	
	75.0	24.10	24.31	2.49	26.50	18.39	2.53	29.47	11.75	2.55	
	81.0	25.63	26.16	2.50	26.50	24.07	2.53	29.38	18.22	2.55	
105.0	85.0	26.98	27.54	2.53	26.98	27.44	2.53	29.38	23.39	2.54	
	90.0	28.32	28.91	2.54	28.32	28.91	2.54	29.38	28.57	2.55	
	75.0	23.14	23.62	2.84	25.34	18.37	2.85	28.22	11.43	2.88	
115.0	81.0	24.67	25.18	2.84	25.34	23.80	2.85	28.13	17.79	2.88	
	85.0	26.02	26.56	2.85	26.02	26.56	2.85	28.13	22.96	2.88	
	90.0	27.36	27.93	2.86	27.36	27.93	2.86	28.22	28.03	2.88	
	75.0	22.18	22.64	3.20	24.19	18.03	3.22	26.88	10.99	3.24	
	81.0	23.71	24.20	3.22	24.19	23.21	3.22	26.88	17.25	3.24	
	85.0	24.96	25.48	3.23	24.96	25.48	3.23	26.88	22.53	3.24	
	90.0	26.30	26.85	3.24	26.30	26.85	3.24	26.88	27.49	3.24	

Performance Data (M kcal/h) - 60 Hz											Metric
MODEL											SWMB-020
Air Flow (m ³ /h)											2265
EWB TC	EWB TE	Entering Wet Bulb Temperature (°C)									
(°C)	(DB)	16			19.5			23			
		TGC	SHC	Consumption	TGC	SHC	Consumption	TGC	SHC	Consumption	
29.5	24.0	6.31	6.38	2.20	6.97	4.98	2.23	7.72	3.12	2.24	
	27.0	6.68	6.82	2.22	6.94	6.38	2.23	7.72	4.70	2.24	
	29.5	7.02	7.16	2.23	7.04	7.19	2.23	7.72	6.03	2.24	
35.0	32.0	7.38	7.53	2.24	7.38	7.53	2.24	7.72	7.33	2.24	
	24.0	6.07	6.13	2.49	6.68	4.63	2.53	7.43	2.96	2.55	
	27.0	6.46	6.59	2.50	6.68	6.07	2.53	7.40	4.59	2.55	
40.5	29.5	6.80	6.94	2.53	6.80	6.91	2.53	7.40	5.89	2.54	
	32.0	7.14	7.29	2.54	7.14	7.29	2.54	7.40	7.20	2.55	
	24.0	5.83	5.95	2.84	6.39	4.63	2.85	7.11	2.88	2.88	
46.0	27.0	6.22	6.35	2.84	6.39	6.00	2.85	7.09	4.48	2.88	
	29.5	6.56	6.69	2.85	6.56	6.69	2.85	7.09	5.79	2.88	
	32.0	6.89	7.04	2.86	6.89	7.04	2.86	7.11	7.06	2.88	
	24.0	5.59	5.70	3.20	6.10	4.54	3.22	6.77	2.77	3.24	
	27.0	5.98	6.10	3.22	6.10	5.85	3.22	6.77	4.35	3.24	
	29.5	6.29	6.42	3.23	6.29	6.42	3.23	6.77	5.68	3.24	
	32.0	6.63	6.77	3.24	6.63	6.77	3.24	6.77	6.93	3.24	

NOTES:

- 1-TGC - Total Gross Capacity (Mkcal/h)
- 2-SHC - Sensible Heat Capacity (Mkcal/h)
- 3-EWBTE => Entering Wet Bulb Temperature Evaporator
- 4-EWBTC => Entering Wet Bulb Temperature Condenser
- 5- Consult the behavior of ventilation options to decide which ventilation option should be used.
- 6-To deal with R407C, multiply the values of the performance table above by the following factors:
 Tot. cap. => 0.96
 Sens. cap => 0.98
 kW => 1.01



Performance Data

60 Hz

Table 04 - Gross Cooling Capacities SWMB 030 - 60 Hz

Performance Data (M B H) - 60 Hz											English
MODEL											SWMB-030
Air Flow (CFM)											1333
EWB TC	EWB TE	Entering Wet Bulb Temperature (°F)									
(°F)	(DB)	61			67			73			
	(°F)	TGC	SHC	Consumption	TGC	SHC	Consumption	TGC	SHC	Consumption	
85.0	75.0	32,93	32,61	3,14	36,77	24,02	3,20	40,80	16,28	3,27	
	81.0	33,50	34,00	3,15	36,77	30,40	3,20	40,80	22,64	3,27	
	85.0	35,14	35,87	3,18	36,67	33,32	3,20	40,70	27,81	3,27	
95.0	90.0	36,77	37,54	3,20	37,06	37,07	3,21	40,70	33,09	3,27	
	75.0	31,68	30,08	3,56	35,33	22,36	3,63	39,17	15,63	3,70	
	81.0	32,35	33,02	3,59	35,33	28,49	3,63	39,17	21,99	3,70	
105.0	85.0	33,98	34,69	3,61	35,33	31,95	3,63	39,17	27,16	3,70	
	90.0	35,62	36,36	3,64	35,71	35,96	3,64	39,07	32,45	3,70	
	75.0	30,34	29,42	4,04	33,79	21,39	4,11	37,44	14,99	4,18	
115.0	81.0	31,20	31,85	4,05	33,79	27,94	4,11	37,44	21,23	4,18	
	85.0	32,83	33,51	4,09	33,79	31,26	4,11	37,44	26,52	4,18	
	90.0	34,37	35,09	4,12	34,37	34,98	4,12	37,44	31,69	4,18	
	75.0	28,90	28,91	4,56	32,16	20,68	4,63	35,62	14,23	4,71	
	81.0	29,95	30,57	4,59	32,06	27,50	4,63	35,62	20,59	4,71	
	85.0	31,49	32,15	4,62	32,16	31,19	4,64	35,62	25,77	4,71	
	90.0	33,02	33,71	4,66	33,02	33,71	4,66	35,52	31,05	4,71	

Performance Data (M kcal/h) - 60 Hz											Metric
MODEL											SWMB-030
Air Flow (m ³ /h)											2265
EWB TC	EWB TE	Entering Wet Bulb Temperature (°C)									
(°C)	(DB)	16			19,5			23			
	(°C)	TGC	SHC	Consumption	TGC	SHC	Consumption	TGC	SHC	Consumption	
29,5	24.0	8,30	8,22	3,14	9,27	6,05	3,20	10,28	4,10	3,27	
	27.0	8,44	8,57	3,15	9,27	7,66	3,20	10,28	5,70	3,27	
	29.5	8,85	9,04	3,18	9,24	8,40	3,20	10,26	7,01	3,27	
35,0	32.0	9,27	9,46	3,20	9,34	9,34	3,21	10,26	8,34	3,27	
	24.0	7,98	7,58	3,56	8,90	5,63	3,63	9,87	3,94	3,70	
	27.0	8,15	8,32	3,59	8,90	7,18	3,63	9,87	5,54	3,70	
40,5	29.5	8,56	8,74	3,61	8,90	8,05	3,63	9,87	6,85	3,70	
	32.0	8,98	9,16	3,64	9,00	9,06	3,64	9,85	8,18	3,70	
	24.0	7,64	7,41	4,04	8,52	5,39	4,11	9,43	3,78	4,18	
46,0	27.0	7,86	8,03	4,05	8,52	7,04	4,11	9,43	5,35	4,18	
	29.5	8,27	8,45	4,09	8,52	7,88	4,11	9,43	6,68	4,18	
	32.0	8,66	8,84	4,12	8,66	8,82	4,12	9,43	7,99	4,18	
	24.0	7,28	7,28	4,56	8,10	5,21	4,63	8,98	3,59	4,71	
	27.0	7,55	7,70	4,59	8,08	6,93	4,63	8,98	5,19	4,71	
	29.5	7,94	8,10	4,62	8,10	7,86	4,64	8,98	6,49	4,71	
	32.0	8,32	8,50	4,66	8,32	8,50	4,66	8,95	7,82	4,71	

NOTES:

- 1-TGC - Total Gross Capacity (Mkcal/h)
- 2-SHC - Sensible Heat Capacity (Mkcal/h)
- 3-EWBTE => Entering Wet Bulb Temperature Evaporator
- 4-EWBTC => Entering Wet Bulb Temperature Condenser
- 5- Consult the behavior of ventilation options to decide wich ventilation option should be used.
- 6-To deal with R407C, multiply the values of the performance table above by the following factors:
 Tot. cap. => 0.96
 Sens. cap => 0.98
 kW => 1.01

Performance Data

60 Hz

Table 05 - Gross Cooling Capacities SWMB 040 - 60 Hz

Performance Data (M B H) - 60 Hz											English
MODEL											SWMB-040
Air Flow (CFM)											2055
EWBTC	EWBTE (DB)	Entering Wet Bulb Temperature (F)									
		61			67			73			
(F)	(F)	TGC	SHC	Consumption	TGC	SHC	Consumption	TGC	SHC	Consumption	
85,0	75,0	43,10	42,68	3,66	47,90	32,76	3,77	53,38	21,35	3,89	
	81,0	44,93	45,87	3,70	47,90	42,06	3,77	53,38	31,05	3,89	
	85,0	47,23	48,21	3,75	48,19	48,21	3,77	53,28	39,02	3,89	
	90,0	49,63	50,66	3,81	49,63	50,66	3,81	53,28	47,00	3,89	
95,0	75,0	41,47	39,99	4,16	46,08	31,05	4,25	51,36	20,59	4,36	
	81,0	43,49	44,40	4,20	46,08	39,51	4,25	51,36	30,29	4,36	
	85,0	45,79	46,74	4,24	46,46	46,01	4,26	51,26	38,27	4,36	
	90,0	48,10	49,10	4,29	48,10	49,10	4,29	51,26	46,25	4,36	
105,0	75,0	39,74	39,01	4,71	44,16	30,20	4,79	49,25	19,84	4,89	
	81,0	41,95	42,82	4,75	44,06	38,24	4,79	49,25	29,43	4,89	
	85,0	44,26	45,18	4,79	44,64	45,11	4,80	49,15	37,52	4,89	
	90,0	46,46	47,43	4,84	46,46	47,43	4,84	49,15	45,37	4,89	
115,0	75,0	37,92	38,71	5,30	42,05	29,19	5,37	47,04	18,97	5,47	
	81,0	40,32	41,16	5,34	42,05	37,35	5,37	47,04	28,67	5,47	
	85,0	42,53	43,42	5,38	42,72	43,61	5,39	47,04	36,65	5,47	
	90,0	44,83	45,76	5,43	44,83	45,76	5,42	47,04	44,52	5,47	

Performance Data (M kcal/h) - 60 Hz											Metric
MODEL											SWMB-040
Air Flow (m ³ /h)											3491
EWBTC	EWBTE (DB)	Entering Wet Bulb Temperature (°C)									
		16			19,5			23			
(°C)	(°C)	TGC	SHC	Consumption	TGC	SHC	Consumption	TGC	SHC	Consumption	
29,5	24,0	10,86	10,76	3,66	12,07	8,26	3,77	13,45	5,38	3,89	
	27,0	11,32	11,56	3,70	12,07	10,60	3,77	13,45	7,82	3,89	
	29,5	11,90	12,15	3,75	12,14	12,15	3,77	13,43	9,83	3,89	
	32,0	12,51	12,77	3,81	12,51	12,77	3,81	13,43	11,84	3,89	
35,0	24,0	10,45	10,08	4,16	11,61	7,82	4,25	12,94	5,19	4,36	
	27,0	10,96	11,19	4,20	11,61	9,96	4,25	12,94	7,63	4,36	
	29,5	11,54	11,78	4,24	11,71	11,59	4,26	12,92	9,64	4,36	
	32,0	12,12	12,37	4,29	12,12	12,37	4,29	12,92	11,65	4,36	
40,5	24,0	10,02	9,83	4,71	11,13	7,61	4,79	12,41	5,00	4,89	
	27,0	10,57	10,79	4,75	11,10	9,64	4,79	12,41	7,42	4,89	
	29,5	11,15	11,38	4,79	11,25	11,37	4,80	12,39	9,45	4,89	
	32,0	11,71	11,95	4,84	11,71	11,95	4,84	12,39	11,43	4,89	
46,0	24,0	9,56	9,75	5,30	10,60	7,36	5,37	11,85	4,78	5,47	
	27,0	10,16	10,37	5,34	10,60	9,41	5,37	11,85	7,23	5,47	
	29,5	10,72	10,94	5,38	10,77	10,99	5,39	11,85	9,24	5,47	
	32,0	11,30	11,53	5,43	11,30	11,53	5,42	11,85	11,22	5,47	

NOTES:

- 1-TGC - Total Gross Capacity (Mkcal/h)
- 2-SHC - Sensible Heat Capacity (Mkal/h)
- 3-EWBTE => Entering Wet Bulb Temperature Evaporator
- 4-EWBTC => Entering Wet Bulb Temperature Condenser
- 5- Consult the behavior of ventilation options to decide wich ventilation option should be used.
- 6-To deal with R407C, multiply the values of the performance table above by the following factors:
 Tot. cap. => 0.96
 Sens. cap => 0.98
 KW => 1.01



Performance Data

60 Hz

Table 06 - Gross Cooling Capacities SWMB 050 - 60 Hz

Performance Data (M B H) - 60 Hz											English
MODEL											SWMB-050
Air Flow (CFM)											2055
EWB TC	EWB TE	Entering Wet Bulb Temperature (°F)									
(°F)	(DB)	61			67			73			
	(°F)	TGC	SHC	Consumption	TGC	SHC	Consumption	TGC	SHC	Consumption	
85.0	75.0	50,30	49,30	4,53	56,26	35,60	4,71	62,78	25,01	4,89	
	81.0	51,26	51,94	4,53	56,26	44,79	4,71	62,78	34,71	4,89	
	85.0	53,66	54,78	4,63	56,26	50,54	4,71	62,69	42,79	4,89	
95.0	90.0	56,35	57,52	4,72	56,83	56,35	4,73	62,69	50,77	4,88	
	75.0	48,77	45,30	5,05	54,62	34,02	5,23	61,06	24,36	5,42	
	81.0	49,92	50,86	5,09	54,62	42,94	5,23	60,96	34,06	5,42	
105.0	85.0	52,42	53,51	5,16	54,62	49,10	5,23	60,86	42,04	5,42	
	90.0	55,01	56,16	5,24	55,39	55,37	5,25	60,86	50,02	5,42	
	75.0	47,33	44,45	5,63	52,90	33,48	5,83	59,04	23,61	6,03	
115.0	81.0	48,67	49,68	5,68	52,90	42,12	5,83	58,94	33,20	6,03	
	85.0	51,07	52,13	5,77	52,90	49,14	5,83	58,94	41,29	6,03	
	90.0	53,66	54,78	5,85	53,76	54,88	5,86	58,94	49,26	6,03	
	75.0	45,79	44,41	6,28	51,07	33,37	6,50	56,93	22,74	6,72	
	81.0	47,33	48,32	6,34	51,07	42,23	6,49	56,83	32,34	6,72	
	85.0	49,73	50,77	6,44	51,17	49,10	6,50	56,83	40,42	6,72	
	90.0	52,13	53,22	6,54	52,22	53,11	6,54	56,74	48,40	6,72	

Performance Data (M kcal/h) - 60 Hz											Metric
MODEL											SWMB-050
Air Flow (m³/h)											3491
EWB TC	EWB TE	Entering Wet Bulb Temperature (°C)									
(°C)	(DB)	16			19,5			23			
	(°C)	TGC	SHC	Consumption	TGC	SHC	Consumption	TGC	SHC	Consumption	
29.5	24.0	12,68	12,42	4,53	14,18	8,97	4,71	15,82	6,30	4,89	
	27.0	12,92	13,09	4,53	14,18	11,29	4,71	15,82	8,75	4,89	
	29.5	13,52	13,81	4,63	14,18	12,74	4,71	15,80	10,78	4,89	
35.0	32.0	14,20	14,50	4,72	14,32	14,20	4,73	15,80	12,79	4,88	
	24.0	12,29	11,42	5,05	13,77	8,57	5,23	15,39	6,14	5,42	
	27.0	12,58	12,82	5,09	13,77	10,82	5,23	15,36	8,58	5,42	
40.5	29.5	13,21	13,48	5,16	13,77	12,37	5,23	15,34	10,59	5,42	
	32.0	13,86	14,15	5,24	13,96	13,95	5,25	15,34	12,61	5,42	
	24.0	11,93	11,20	5,63	13,33	8,44	5,83	14,88	5,95	6,03	
46.0	27.0	12,26	12,52	5,68	13,33	10,61	5,83	14,85	8,37	6,03	
	29.5	12,87	13,14	5,77	13,33	12,38	5,83	14,85	10,40	6,03	
	32.0	13,52	13,81	5,85	13,55	13,83	5,86	14,85	12,41	6,03	
	24.0	11,54	11,19	6,28	12,87	8,41	6,50	14,35	5,73	6,72	
	27.0	11,93	12,18	6,34	12,87	10,64	6,49	14,32	8,15	6,72	
	29.5	12,53	12,79	6,44	12,89	12,37	6,50	14,32	10,19	6,72	
	32.0	13,14	13,41	6,54	13,16	13,38	6,54	14,30	12,20	6,72	

NOTES:

- 1-TGC - Total Gross Capacity (Mkcal/h)
- 2-SHC - Sensible Heat Capacity (Mkcal/h)
- 3-EWBTE => Entering Wet Bulb Temperature Evaporator
- 4-EWBTC => Entering Wet Bulb Temperature Condenser
- 5- Consult the behavior of ventilation options to decide wich ventilation option should be used.
- 6-To deal with R407C, multiply the values of the performance table above by the following factors:
 Tot. cap. => 0.96
 Sens. cap => 0.98
 kW => 1.01

Performance Data

50 Hz

Table 07 - Gross Cooling Capacities SWMB 020 - 50 Hz

Performance Data (M BH) - 50Hz											English
MODEL											SWMB-020
Air Flow (CFM)		160									
EWB TC	EWB TE	Entering Wet Bulb Temperature (°F)									
(°F)	(DB)	61			67			73			
(°F)	(°F)	TGC	SHC	Consumption	TGC	SHC	Consumption	TGC	SHC	Consumption	
85,0	75,0	21,70	21,66	1,83	23,90	16,11	1,86	26,59	9,80	1,87	
	81,0	23,04	23,52	1,85	23,90	20,97	1,86	26,50	15,15	1,87	
	85,0	24,19	24,69	1,86	24,29	24,50	1,86	26,50	19,74	1,87	
90,0	75,0	25,44	25,97	1,87	25,44	25,97	1,87	26,50	24,07	1,87	
	81,0	27,00	27,57	1,88	25,44	29,04	1,87	26,50	28,76	1,87	
	85,0	28,15	28,69	1,88	25,44	32,11	1,87	26,50	33,45	1,87	
95,0	75,0	20,93	21,17	2,08	22,94	15,58	2,10	25,54	9,41	2,12	
	81,0	22,27	22,73	2,09	22,94	20,58	2,10	25,44	15,06	2,12	
	85,0	23,42	23,91	2,10	23,42	23,82	2,10	25,44	19,48	2,11	
105,0	75,0	24,58	25,09	2,11	24,58	25,09	2,11	25,44	23,89	2,12	
	81,0	26,14	26,69	2,12	24,58	29,16	2,11	25,44	28,30	2,12	
	85,0	27,29	27,83	2,12	24,58	32,23	2,11	25,44	32,71	2,12	
115,0	75,0	20,06	20,48	2,37	21,98	15,19	2,37	24,38	9,01	2,40	
	81,0	21,41	21,86	2,37	21,98	20,19	2,37	24,38	14,44	2,40	
	85,0	22,56	23,03	2,37	22,56	23,03	2,37	24,38	18,92	2,40	
125,0	75,0	23,71	24,20	2,38	23,71	24,20	2,38	24,38	30,83	2,40	
	81,0	25,14	25,67	2,38	23,71	28,27	2,38	24,38	35,31	2,40	
	85,0	26,29	26,83	2,38	23,71	31,34	2,38	24,38	39,79	2,40	
135,0	75,0	19,30	19,70	2,67	20,93	14,96	2,68	23,23	8,63	2,70	
	81,0	20,54	20,97	2,68	21,02	19,70	2,68	23,23	13,99	2,70	
	85,0	21,70	22,15	2,69	21,70	22,15	2,69	23,23	18,50	2,70	
145,0	75,0	22,85	23,33	2,70	22,85	23,33	2,70	23,33	22,39	2,70	
	81,0	24,29	24,81	2,70	22,85	27,40	2,70	23,33	26,90	2,70	
	85,0	25,44	25,97	2,70	22,85	30,47	2,70	23,33	31,41	2,70	

Performance Data (M kcal/h) - 50 Hz											Metric
MODEL											SWMB-020
Air Flow (m ³ /h)		197.1									
EWB TC	EWB TE	Entering Wet Bulb Temperature (°C)									
(°C)	(DB)	16			19.5			23			
(°C)	(°C)	TGC	SHC	Consumption	TGC	SHC	Consumption	TGC	SHC	Consumption	
29,5	24,0	5,47	5,46	1,83	6,02	4,06	1,86	6,70	2,47	1,87	
	27,0	5,81	5,93	1,85	6,02	5,29	1,86	6,68	3,82	1,87	
	29,5	6,10	6,22	1,86	6,12	6,17	1,86	6,68	4,98	1,87	
35,0	24,0	6,41	6,54	1,87	6,41	6,54	1,87	6,68	6,07	1,87	
	27,0	6,75	6,87	1,88	6,41	7,64	1,87	6,68	7,23	1,87	
	29,5	7,04	7,17	1,88	6,41	8,75	1,87	6,68	8,40	1,87	
40,5	24,0	5,27	5,33	2,08	5,78	3,93	2,10	6,43	2,37	2,12	
	27,0	5,61	5,73	2,09	5,78	5,19	2,10	6,41	3,80	2,12	
	29,5	5,90	6,03	2,10	5,90	6,00	2,10	6,41	4,91	2,11	
46,0	24,0	6,19	6,32	2,11	6,19	6,32	2,11	6,41	6,02	2,12	
	27,0	6,53	6,66	2,12	6,19	7,43	2,11	6,41	7,13	2,12	
	29,5	6,82	6,95	2,12	6,19	8,54	2,11	6,41	8,24	2,12	
51,5	24,0	5,06	5,16	2,37	5,54	3,83	2,37	6,14	2,27	2,40	
	27,0	5,40	5,51	2,37	5,54	5,09	2,37	6,14	3,64	2,40	
	29,5	5,69	5,80	2,37	5,69	5,80	2,37	6,14	4,77	2,40	
57,0	24,0	5,98	6,10	2,38	5,98	6,10	2,38	8,27	7,77	2,40	
	27,0	6,32	6,44	2,38	5,98	7,21	2,38	8,27	8,90	2,40	
	29,5	6,61	6,73	2,38	5,98	8,32	2,38	8,27	10,03	2,40	
62,5	24,0	4,86	4,96	2,67	5,27	3,77	2,68	5,85	2,17	2,70	
	27,0	5,18	5,29	2,68	5,30	4,96	2,68	5,85	3,53	2,70	
	29,5	5,47	5,58	2,69	5,47	5,58	2,69	5,85	4,66	2,70	
68,0	24,0	5,76	5,88	2,70	5,76	5,88	2,70	5,88	5,64	2,70	
	27,0	6,10	6,22	2,70	5,76	6,99	2,70	5,88	6,77	2,70	
	29,5	6,39	6,51	2,70	5,76	8,10	2,70	5,88	7,90	2,70	

NOTES:

- 1-TGC - Total Gross Capacity (Mkcal/h)
- 2-SHC - Sensible Heat Capacity (Mkcal/h)
- 3-EWBTE => Entering Wet Bulb Temperature Evaporator
- 4-EWBTC => Entering Wet Bulb Temperature Condenser
- 5- Consult the behavior of ventilation options to decide which ventilation option should be used.
- 6-To deal with R407C, multiply the values of the performance table above by the following factors:
 Tot. cap. => 0.96
 Sens. cap => 0.98
 kW => 1.01



Performance Data

50 Hz

Table 08 - Gross Cooling Capacities SWMB 030 - 50 Hz

Performance Data (M B H) - 50 Hz											English
MODEL											SWMB-030
Air Flow (CFM)											1160
EWBTC	EWBTE	Entering Wet Bulb Temperature (°F)									
(°F)	(DB)	61			67			73			
(°F)	(°F)	TGC	SHC	Consumption	TGC	SHC	Consumption	TGC	SHC	Consumption	
85,0	75,0	28,90	28,02	2,62	32,26	19,76	2,67	35,81	13,04	2,73	
	81,0	29,38	29,79	2,63	32,26	25,35	2,67	35,81	18,64	2,73	
	85,0	30,72	31,36	2,65	32,16	28,52	2,67	35,81	23,03	2,73	
95,0	90,0	32,26	32,93	2,67	32,54	32,56	2,68	35,71	28,07	2,73	
	75,0	27,74	25,49	2,96	31,01	18,99	3,02	34,37	12,44	3,08	
	81,0	28,42	29,01	2,99	30,91	24,30	3,02	34,37	17,89	3,08	
105,0	85,0	29,76	30,38	3,00	31,01	28,03	3,02	34,37	22,45	3,08	
	90,0	31,20	31,85	3,03	31,39	31,72	3,03	34,37	27,02	3,08	
	75,0	26,59	24,70	3,37	29,57	18,23	3,43	32,83	11,95	3,48	
115,0	81,0	27,36	27,93	3,38	29,57	23,54	3,43	32,83	17,43	3,48	
	85,0	28,70	29,30	3,41	29,66	27,34	3,43	32,83	21,78	3,48	
	90,0	30,14	30,77	3,43	30,14	30,68	3,43	32,83	26,14	3,48	
	75,0	25,25	24,23	4,64	28,13	17,64	3,85	31,20	11,37	3,92	
	81,0	26,21	26,76	3,82	28,13	23,26	3,85	31,20	16,56	3,92	
	85,0	27,55	28,12	3,85	28,22	26,76	3,86	31,20	20,58	3,92	
	90,0	28,90	29,50	3,88	28,90	29,50	3,88	31,20	25,48	3,92	

Performance Data (M kcal/h) - 50 Hz											Metric
MODEL											SWMB-030
Air Flow (m³/h)											1971
EWBTC	EWBTE	Entering Wet Bulb Temperature (°C)									
(°C)	(DB)	16			19,5			23			
(°C)	(°C)	TGC	SHC	Consumption	TGC	SHC	Consumption	TGC	SHC	Consumption	
29,5	24,0	7,28	7,06	2,62	8,13	4,98	2,67	9,02	3,28	2,73	
	27,0	7,40	7,51	2,63	8,13	6,39	2,67	9,02	4,70	2,73	
	29,5	7,74	7,90	2,65	8,10	7,19	2,67	9,02	5,80	2,73	
35,0	32,0	8,13	8,30	2,67	8,20	8,20	2,68	9,00	7,07	2,73	
	24,0	6,99	6,42	2,96	7,81	4,79	3,02	8,66	3,14	3,08	
	27,0	7,16	7,31	2,99	7,79	6,12	3,02	8,66	4,51	3,08	
40,5	29,5	7,50	7,66	3,00	7,81	7,06	3,02	8,66	5,66	3,08	
	32,0	7,86	8,03	3,03	7,91	7,99	3,03	8,66	6,81	3,08	
	24,0	6,70	6,22	3,37	7,45	4,59	3,43	8,27	3,01	3,48	
46,0	27,0	6,89	7,04	3,38	7,45	5,93	3,43	8,27	4,39	3,48	
	29,5	7,23	7,38	3,41	7,48	6,89	3,43	8,27	5,49	3,48	
	32,0	7,60	7,75	3,43	7,60	7,73	3,43	8,27	6,59	3,48	
	24,0	6,36	6,11	4,64	7,09	4,45	3,85	7,86	2,86	3,92	
	27,0	6,60	6,74	3,82	7,09	5,86	3,85	7,86	4,17	3,92	
	29,5	6,94	7,09	3,85	7,11	6,74	3,86	7,86	5,19	3,92	
	32,0	7,28	7,43	3,88	7,28	7,43	3,88	7,86	6,42	3,92	

NOTES:

- 1-TGC - Total Gross Capacity (Mkcal/h)
- 2-SHC - Sensible Heat Capacity (Mkcal/h)
- 3-EWBTE => Entering Wet Bulb Temperature Evaporator
- 4-EWBTC => Entering Wet Bulb Temperature Condenser
- 5- Consult the behavior of ventilation options to decide wich ventilation option should be used.
- 6-To deal with R407C, multiply the values of the performance table above by the following factors:
 Tot. cap. => 0.96
 Sens. cap => 0.98
 kW => 1.01

Performance Data

50 Hz

Table 09 - Gross Cooling Capacities SWMB 040 - 50 Hz

Performance Data (M B H) - 50 Hz											English
MODEL											SWMB-040
Air Flow (CFM)											1790
EWBTC	EWBTE	Entering Wet Bulb Temperature (°F)									
(°F)	(DB)	61			67			73			
	(°F)	TGC	SHC	Consumption	TGC	SHC	Consumption	TGC	SHC	Consumption	
85,0	75,0	37,63	36,49	3,05	41,76	26,86	3,14	46,56	16,96	3,24	
	81,0	39,26	40,08	3,08	41,76	34,96	3,14	46,46	25,14	3,24	
	85,0	41,28	42,14	3,12	42,05	40,28	3,14	46,46	32,25	3,24	
95,0	90,0	43,39	44,29	3,17	43,30	44,20	3,17	46,37	38,82	3,24	
	75,0	36,19	34,98	3,47	40,13	25,87	3,54	44,74	16,36	3,64	
	81,0	38,02	38,81	3,50	40,13	33,62	3,54	44,74	25,12	3,64	
105,0	85,0	40,03	40,86	3,53	40,51	39,50	3,55	44,74	31,97	3,64	
	90,0	42,05	42,93	3,58	42,05	42,93	3,58	44,64	38,73	3,64	
	75,0	34,66	34,11	3,92	38,40	25,18	3,99	42,91	15,68	4,07	
115,0	81,0	36,67	37,43	3,96	38,40	32,14	3,99	42,91	24,09	4,07	
	85,0	38,59	39,39	3,99	38,88	38,61	4,00	42,82	30,60	4,07	
	90,0	40,61	41,46	4,03	40,61	41,46	4,03	42,82	37,15	4,07	
	75,0	33,12	33,13	4,42	36,67	24,50	4,48	40,99	15,09	4,56	
	81,0	35,23	35,96	4,45	36,67	32,24	4,48	40,99	22,84	4,56	
	85,0	37,15	37,92	4,49	37,25	37,54	4,49	40,99	29,71	4,56	
	90,0	39,17	39,99	4,53	39,17	39,99	4,52	40,99	35,99	4,56	

Performance Data (M kcal/h) - 50 Hz											Metric
MODEL											SWMB-040
Air Flow (m ³ /h)											3041
EWBTC	EWBTE	Entering Wet Bulb Temperature (°C)									
(°C)	(DB)	16			19,5			23			
	(°C)	TGC	SHC	Consumption	TGC	SHC	Consumption	TGC	SHC	Consumption	
29,5	24,0	9,48	9,20	3,05	10,52	6,77	3,14	11,73	4,27	3,24	
	27,0	9,89	10,10	3,08	10,52	8,81	3,14	11,71	6,34	3,24	
	29,5	10,40	10,62	3,12	10,60	10,15	3,14	11,71	8,13	3,24	
35,0	32,0	10,93	11,16	3,17	10,91	11,14	3,17	11,69	9,78	3,24	
	24,0	9,12	8,82	3,47	10,11	6,52	3,54	11,27	4,12	3,64	
	27,0	9,58	9,78	3,50	10,11	8,47	3,54	11,27	6,33	3,64	
40,5	29,5	10,09	10,30	3,53	10,21	9,95	3,55	11,27	8,06	3,64	
	32,0	10,60	10,82	3,58	10,60	10,82	3,58	11,25	9,76	3,64	
	24,0	8,73	8,59	3,92	9,68	6,35	3,99	10,81	3,95	4,07	
46,0	27,0	9,24	9,43	3,96	9,68	8,10	3,99	10,81	6,07	4,07	
	29,5	9,72	9,93	3,99	9,80	9,73	4,00	10,79	7,71	4,07	
	32,0	10,23	10,45	4,03	10,23	10,45	4,03	10,79	9,36	4,07	
	24,0	8,35	8,35	4,42	9,24	6,17	4,48	10,33	3,80	4,56	
	27,0	8,88	9,06	4,45	9,24	8,13	4,48	10,33	5,75	4,56	
	29,5	9,36	9,56	4,49	9,39	9,46	4,49	10,33	7,49	4,56	
	32,0	9,87	10,08	4,53	9,87	10,08	4,52	10,33	9,07	4,56	

NOTES:

- 1-TGC - Total Gross Capacity (Mkcal/h)
- 2-SHC - Sensible Heat Capacity (Mkcal/h)
- 3-EWBTE => Entering Wet Bulb Temperature Evaporator
- 4-EWBTC => Entering Wet Bulb Temperature Condenser
- 5- Consult the behavior of ventilation options to decide wich ventilation option should be used.
- 6-To deal with R407C, multiply the values of the performance table above by the following factors:
 Tot. cap. => 0.96
 Sens. cap=> 0.98
 kW => 1.01



Performance Data

50 Hz

Table 10 - Gross Cooling Capacities SWMB 050 - 50 Hz

Performance Data (M BH) - 50Hz											English
MODEL											SWMB-050
Air Flow (CFM)		1790									
EWBTC	EWBTE	Entering Wet Bulb Temperature (°F)									
(°F)	(DB)	61			67			73			
(°F)	(°F)	TGC	SHC	Consumption	TGC	SHC	Consumption	TGC	SHC	Consumption	
85,0	75,0	44,06	42,28	3,78	49,25	29,59	3,92	55,01	19,99	4,07	
	81,0	44,93	45,67	3,78	49,25	37,34	3,92	55,01	28,64	4,07	
	85,0	47,13	48,12	3,85	49,25	43,80	3,92	54,91	35,31	4,07	
	90,0	49,44	50,47	3,93	49,82	49,49	3,94	54,91	42,04	4,07	
95,0	75,0	42,72	38,51	4,21	47,81	29,01	4,36	53,47	19,41	4,52	
	81,0	43,77	44,69	4,24	47,81	36,75	4,36	53,37	28,33	4,52	
	85,0	45,98	46,94	4,30	47,90	43,12	4,36	53,37	35,42	4,52	
	90,0	48,29	49,29	4,37	48,57	48,61	4,38	53,28	42,42	4,52	
105,0	75,0	41,47	37,83	4,69	46,37	28,32	4,86	51,65	18,72	5,02	
	81,0	42,62	43,51	4,73	46,27	36,16	4,86	51,65	26,56	5,02	
	85,0	44,83	45,76	4,81	46,37	41,65	4,86	51,65	33,22	5,02	
	90,0	47,04	48,02	4,87	47,13	47,72	4,88	51,55	39,99	5,02	
115,0	75,0	40,13	37,14	5,24	44,73	27,74	5,42	49,82	18,03	5,60	
	81,0	41,47	42,34	5,29	44,64	35,47	5,41	49,73	25,87	5,60	
	85,0	43,58	44,49	5,37	44,83	41,75	5,42	49,73	32,24	5,60	
	90,0	45,69	46,65	5,45	45,69	46,65	5,45	49,63	39,01	5,60	

Performance Data (M kcal/h) - 50Hz											Metric
MODEL											SWMB-050
Air Flow (m³/h)		3041									
EWBTC	EWBTE	Entering Wet Bulb Temperature (°C)									
(°C)	(DB)	16			19,5			23			
(°C)	(°C)	TGC	SHC	Consumption	TGC	SHC	Consumption	TGC	SHC	Consumption	
29,5	24,0	11,10	10,66	3,78	12,41	7,46	3,92	13,86	5,04	4,07	
	27,0	11,32	11,51	3,78	12,41	9,41	3,92	13,86	7,22	4,07	
	29,5	11,88	12,13	3,85	12,41	11,04	3,92	13,84	8,90	4,07	
	32,0	12,46	12,72	3,93	12,56	12,47	3,94	13,84	10,59	4,07	
35,0	24,0	10,77	9,71	4,21	12,05	7,31	4,36	13,47	4,89	4,52	
	27,0	11,03	11,26	4,24	12,05	9,26	4,36	13,45	7,14	4,52	
	29,5	11,59	11,83	4,30	12,07	10,87	4,36	13,45	8,92	4,52	
	32,0	12,17	12,42	4,37	12,24	12,25	4,38	13,43	10,69	4,52	
40,5	24,0	10,45	9,53	4,69	11,68	7,14	4,86	13,02	4,72	5,02	
	27,0	10,74	10,97	4,73	11,66	9,11	4,86	13,02	6,69	5,02	
	29,5	11,30	11,53	4,81	11,68	10,50	4,86	13,02	8,37	5,02	
	32,0	11,85	12,10	4,87	11,88	12,03	4,88	12,99	10,08	5,02	
46,0	24,0	10,11	9,36	5,24	11,27	6,99	5,42	12,56	4,54	5,60	
	27,0	10,45	10,67	5,29	11,25	8,94	5,41	12,53	6,52	5,60	
	29,5	10,98	11,21	5,37	11,30	10,52	5,42	12,53	8,13	5,60	
	32,0	11,52	11,75	5,45	11,52	11,75	5,45	12,51	9,83	5,60	

NOTES:

- 1-TGC - Total Gross Capacity (Mkcal/h)
- 2-SHC - Sensible Heat Capacity (Mkcal/h)
- 3-EWBTE => Entering Wet Bulb Temperature Evaporator
- 4-EWBTC => Entering Wet Bulb Temperature Condenser
- 5- Consult the behavior of ventilation options to decide wich ventilation option should be used.
- 6-To deal with R407C, multiply the values of the performance table above by the following factors:
 Tot. cap. => 0,96
 Sens. cap => 0,98
 kW => 1,01

Electrical Data

50 Hz

Table 11 - Electrical data SWMB - 50 Hz

Model		SWMB 020				SWMB 030				SWMB 040				SWMB 050											
		SWMB 020		SWMB 030		SWMB 040		SWMB 050		SWMB 020		SWMB 030		SWMB 040		SWMB 050									
Rated Operational Values	Voltage	V												220				380				440			
	Phases	Unit												1				3				3			
	Compressor	kW	2,16	2,08	3,07	2,99	3,52	4,32	2,08	2,99	3,52	4,32	2,08	2,99	3,52	4,32									
		RLA	9,08	6,25	14,11	9,15	11,05	14,20	3,60	5,29	6,38	8,21	3,13	4,58	5,52	7,10									
	Evaporators Fan Motor (*)	kW	0,30	0,40	0,30	0,40	0,58	0,57	0,40	0,40	0,58	0,57	0,40	0,40	0,58	0,57									
		FLA	2,23	2,23	2,22	2,22	3,12	3,09	2,23	2,22	3,12	3,09	2,23	2,22	3,12	3,09									
	Condenser Fan Motor (*)	kW	0,42	0,42	0,42	0,42	0,59	0,58	0,42	0,42	0,59	0,58	0,42	0,42	0,59	0,58									
		FLA	2,49	2,49	2,48	2,48	2,95	2,97	2,49	2,48	2,95	2,97	2,49	2,48	2,95	2,97									
	Total	kW	2,88	2,90	3,79	3,81	4,69	5,47	2,90	3,81	4,69	5,47	2,90	3,81	4,69	5,47									
		FLA	13,80	10,97	18,81	13,85	17,12	20,26	8,32	9,99	12,45	14,27	7,85	9,28	11,59	13,16									
Start Values	Compressor	LRA	76,00	62,00	104,00	88,00	115,00	128,00	35,90	50,95	66,58	74,11	31,00	44,00	57,50	64,00									
	Evaporators Fan Motor (*)	LRA	10,50	10,50	10,50	10,50	10,50	10,50	10,50	10,50	10,50	10,50	10,50	10,50	10,50	10,50									
	Condenser Fan Motor (*)	LRA	10,50	10,50	10,50	10,50	10,50	10,50	10,50	10,50	10,50	10,50	10,50	10,50	10,50	10,50									
	Total	LRA	97,00	83,00	125,00	109,00	136,00	149,00	56,89	71,95	87,58	95,11	65,00	10,50	78,50	85,00									
Maximum Operational Values (Critical Temperatures)	Compressor	kW	2,65	2,55	4,40	4,32	5,05	6,21	2,55	4,32	5,05	6,21	2,55	4,32	5,05	6,21									
		RLA	10,80	7,45	18,99	12,32	14,68	18,48	4,30	7,11	8,46	10,67	3,73	6,16	7,34	9,24									
	Evaporators Fan Motor (*)	kW	0,40	0,40	0,40	0,40	0,58	0,57	0,40	0,40	0,58	0,57	0,40	0,40	0,58	0,57									
		FLA	2,23	2,23	2,22	2,22	3,12	3,09	2,23	2,22	3,12	3,09	2,23	2,22	3,12	3,09									
	Condenser Fan Motor (*)	kW	0,42	0,42	0,42	0,42	0,59	0,58	0,42	0,42	0,59	0,58	0,42	0,42	0,59	0,58									
		FLA	2,49	2,49	2,48	2,48	2,95	2,97	2,49	2,48	2,95	2,97	2,49	2,48	2,95	2,97									
	Total	kW	3,47	3,47	5,22	5,14	6,22	7,36	3,37	5,14	6,22	7,36	3,37	5,14	6,22	7,36									
		FLA	15,52	12,17	23,69	17,02	20,75	24,54	9,02	11,81	14,53	16,73	8,45	10,86	13,41	15,30									
Heating / Re-heating Resistance	3,0 KW	kW	3,00	3,00	3,00	3,00	3,00	3,00	3,00	3,00	3,00	3,00	3,00	3,00	3,00	3,00									
		FLA	13,64	7,87	13,64	7,87	7,87	7,87	4,55	4,55	4,55	4,55	3,94	3,94	3,94	3,94									
	4,5 KW	kW	4,50	4,50	4,50	4,50	4,50	4,50	4,50	4,50	4,50	4,50	4,50	4,50	4,50	4,50									
		FLA	20,45	11,81	20,45	11,81	11,81	11,81	6,82	6,82	6,82	6,82	5,91	5,91	5,91	5,91									
Total (Equip. + Heat. Resist.)	3,0 KW	kW	5,88	5,90	6,79	6,81	7,69	8,47	5,90	6,81	7,69	8,47	5,90	6,81	7,69	8,47									
		FLA	27,44	18,84	32,45	21,72	24,99	28,13	12,87	14,54	17,00	18,82	11,79	13,22	15,53	17,10									
	4,5 KW	kW	7,38	7,40	8,29	8,31	9,19	9,97	7,40	8,31	9,19	9,97	7,40	8,31	9,19	9,97									
		FLA	34,25	22,78	39,26	25,66	28,93	32,07	15,14	16,81	19,27	21,09	13,76	15,19	17,50	19,07									

Notes:

(1) Both motors of evaporator fan and condenser fan will always be in one-phase 220V independent of equipment power supply

RLA = Rated Amps(A).

LRA - Locked Rotor Amps (Start) (A).

FLA = Full Load Amps (Exterior Air Temperature 43° C) (A).



Electrical Data

60 Hz

Table 12 - Electrical data SWMB - 60 Hz

Model		SWMB 020		SWMB 030		SWMB 040		SWMB 050		SWMB 020		SWMB 030		SWMB 040		SWMB 050	
		220		380		440											
Rated Operational Values	Voltage	220						380				440					
	Phases	Unid.	1	3	1	3	3	3	3				3				
	Compressor	kW	2,60	2,50	3,70	3,60	4,20	5,20	2,50	3,60	4,20	5,20	2,50	3,60	4,20	5,20	
		RLA	10,60	7,30	16,50	10,70	12,80	16,60	4,20	6,18	7,39	9,60	3,65	5,35	6,40	8,30	
	Evaporators Fan Motor (*)	kW	0,48	0,48	0,48	0,48	0,69	0,69	0,48	0,48	0,69	0,69	0,48	0,48	0,69	0,69	
		FLA	2,60	2,60	2,60	2,60	3,61	3,61	2,60	2,60	3,61	3,61	2,60	2,60	3,61	3,61	
	Condenser Fan Motor (*)	kW	0,51	0,51	0,51	0,51	0,70	0,70	0,51	0,51	0,70	0,70	0,51	0,51	0,70	0,70	
		FLA	2,90	2,90	2,90	2,90	3,42	3,42	2,90	2,90	3,42	3,42	2,90	2,90	3,42	3,42	
	Total	kW	3,59	3,49	4,69	4,59	5,59	6,59	3,49	4,59	5,59	6,59	3,49	4,59	5,59	6,59	
		FLA	16,10	12,80	22,00	16,20	19,83	23,63	9,70	11,68	14,42	16,63	9,15	10,85	13,43	15,33	
Start Values	Compressor	LRA	76,00	62,00	104,00	88,00	115,00	128,00	35,90	50,95	66,58	74,11	31,00	44,00	57,50	64,00	
	Evaporators Fan Motor (*)	LRA	10,50	10,50	10,50	10,50	10,50	10,50	10,50	10,50	10,50	10,50	10,50	10,50	10,50	10,50	
	Condenser Fan Motor (*)	LRA	10,50	10,50	10,50	10,50	10,50	10,50	10,50	10,50	10,50	10,50	10,50	10,50	10,50	10,50	
	Total	LRA	97,00	83,00	125,00	109,00	136,00	149,00	56,90	71,95	87,58	95,11	52,00	65,00	78,50	85,00	
Maximum Operational Values (Critical Temperatures)	Compressor	kW	3,18	3,06	5,30	5,20	6,02	7,47	3,06	5,20	6,02	7,47	3,06	5,20	6,02	7,47	
		RLA	12,60	8,70	22,20	14,40	17,00	21,60	5,02	8,31	9,80	12,47	4,35	7,20	8,50	10,80	
	Evaporators Fan Motor (*)	kW	0,48	0,48	0,48	0,48	0,69	0,69	0,48	0,48	0,69	0,69	0,48	0,48	0,69	0,69	
		FLA	2,60	2,60	2,60	2,60	3,61	3,61	2,60	2,60	3,61	3,61	2,60	2,60	3,61	3,61	
	Condenser Fan Motor (*)	kW	0,51	0,51	0,51	0,51	0,70	0,70	0,51	0,51	0,70	0,70	0,51	0,51	0,70	0,70	
		FLA	2,90	2,90	2,90	2,90	3,42	3,47	2,90	2,90	3,42	3,47	2,90	2,90	3,42	3,47	
	Total	kW	4,17	4,05	6,29	6,19	7,41	8,86	4,05	6,19	7,41	8,86	4,05	6,19	7,41	8,86	
		FLA	18,10	14,20	27,70	19,90	24,03	28,68	10,52	13,81	16,83	19,55	9,85	12,70	15,53	17,88	
Heating / Re-heating Resistance	3,0 KW	kW	3,00	3,00	3,00	3,00	3,00	3,00	3,00	3,00	3,00	3,00	3,00	3,00	3,00		
		FLA	13,64	7,87	13,64	7,87	7,87	7,87	4,55	4,55	4,55	4,55	3,94	3,94	3,94	3,94	
	4,5 KW	kW	4,50	4,50	4,50	4,50	4,50	4,50	4,50	4,50	4,50	4,50	4,50	4,50	4,50		
		FLA	20,45	11,81	20,45	11,81	11,81	11,81	6,82	6,82	6,82	6,82	5,91	5,91	5,91	5,91	
Total (Equip. + Heat. Resist.)	3,0 KW	kW	6,59	6,59	7,69	7,59	8,59	9,59	6,49	7,59	8,59	9,59	6,49	7,59	8,59	9,59	
		FLA	29,74	20,67	35,64	24,07	27,70	31,50	14,25	16,23	18,97	21,18	13,09	14,79	17,37	19,27	
	4,5 KW	kW	8,09	7,99	9,19	9,09	10,09	11,09	7,99	9,09	10,09	11,09	7,99	9,09	10,09	11,09	
		FLA	36,55	24,61	42,45	28,01	31,64	35,44	16,52	18,50	21,24	23,45	15,06	16,76	19,34	21,24	

Notes:

(1) Both motors of evaporator fan and condenser fan will always be in one-phase 220V independent of equipment power supply

RLA = Rated Amps(A).

LRA - Locked Rotor Amps (Start) (A).

FLA = Full Load Amps (Exterior Air Temperature 43° C) (A).

Options

Table 13 - Unit Voltage

Model	Phase	
	1	3
2 Ton	220 V	220-380-440V
3 Ton	220 V	220-380-440 V
4 Ton	NA	220-380-440 V
5 Ton	NA	220-380-440 V

Electric Heating

Includes electric resistance, stainless steel tubes, a contact unit, fuses, a control thermostat and safety thermostat, all properly installed. The available electric resistance the following ones:

Model	Electric Resistance	
	1 x 3.0 KW	1x4.5 KW
SWMB 020	A	A
SWMB 030	A	A
SWMB 040	A	A
SWMB 050	A	A

Notes: A- Available NA - Not Available

Saving Cycle

It allows great energy saving. The control of the saving cycle compares the values (temperature or entalphy) of external air with the value adjusted. If the foreign values are below to the adjusted values, the damper is positioned for admit 100% of external air.

Supply / Return of Grilles

For indoor finish in the container. Manufactured in the aluminum, the supply grilles has double deflect (vertical and horizontal), allowing the perfect direction the air flow.

Condenser Protection Grill

For protection of condenser fins, avoiding to damage of the transportation and during the installation

Filtering

The standard filter is of the disposable type, in glass wool with thickness of 2 inches and filtering degree ABNT-G4. Optionamente can be supplied with pré washable filter of electrostatic fabric with thickness of 8 mm and filtering degree ABNT-G0 or still exclusively with filter G0. It is also possible the supply of sensor of dirty filter.

Liquid Viewer

Auxiliary maintenance component, indicates the existente of humidity inside the equipament, it lacks refrigerant, filter drier clogged, expansion valve very open and others indicates.

Power Factor Correction

Correct the power factor of equipment.

Maintenance Switch (Local/Remote type)

Dispositive that increase the practicability and speed of maintenance, test or start-up, it is accessed direct of electric panel of equipment, working the compressor or eletric heat independent of central control .

Standard Thermostat

Basic thermostat with on/off power switch and set-point adjustment button. Its is installed in the conditioned environment and interconnected to the equipment electrical panel through eletrical cable harnesses.

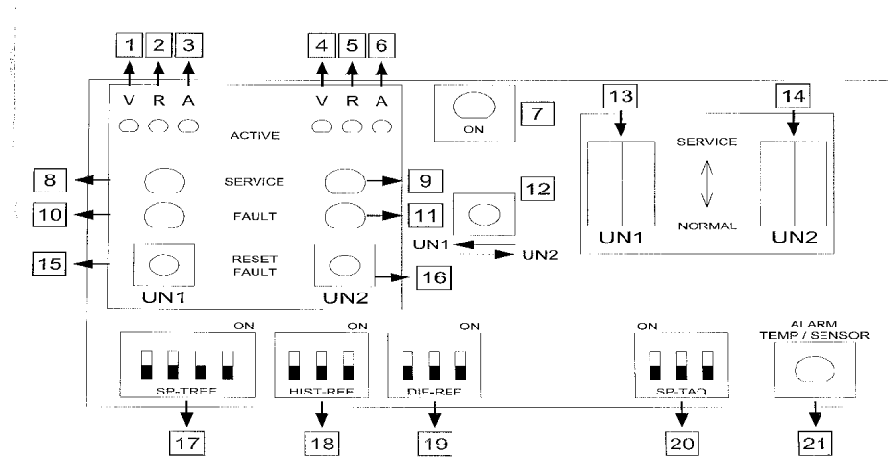
Programmable Thermostat

It has a liquid crystal display for viewing the time, day of the week, selected program and ambient temperature. Four different set-points can be programmed for each day of the week. The user can keep the equipament functioning through the timed-override key as well as the programmed times as desired.

Options

Control of Lead-Lag

Allow the simultaneous control of main equipment and of “slave” equipment at a cost attractive.



1	LED fan UN1	12	Key change
2	LED cool. UN1	13	Key service UN1
3	LED heat. UN1	14	Key service UN2
4	LED fan UN2	15	Fail reset UN1
5	LED cool. UN2	16	Fail reset UN2
6	LED heat. UN2	17	Adjust stpt. cool.
7	LED supply	18	Adjust histeres. cool.
8	LED manut. UN1	19	Adjust diferen. cool.
9	LED manut. UN2	20	Adjust temp.heat.
10	LED fail UN1	21	LED alarm. high temp. and fail sensor
11	LED fail UN2		

Microprocessor Control

The electric panel can be installed in the ambient conditioning or in the local remote, of agreement with the needs of clients. Exist two configurations: With 15 points and other with 20 points. Others configurations can be defined under consultation.

Packing

The standard packing has a wood base covered with plastic, for protection and movement of unit.

Options

Table 14 - Points List

Configuration 15 Points					
Item	Description	AI	AO	BI	BO
1	Sensor ambient air temperature	1			
2	Seletora Switch (Automatic Position) Self 01			1	
3	Seletora Switch (Automatic Position) Self 02			1	
4	General Defect Self 01			1	
5	General Defect Self 02			1	
6	Status Evaporator Fan Self 01			1	
7	Status Evaporator Fan Self 02			1	
8	No Power			1	
9	On / Off Evaporator Fan of Self 01				1
10	On / Off Evaporator Fan of Self 02				1
11	On / Off Compressor of Self 01				1
12	On / Off Compressor of Self 02				1
13	General Alarm Self 01				1
14	General Alarm Self 02				1
15	Alarm high temperature ambient				1
	Total points	1		7	7

Configuration 20 Points					
Item	Description	AI	AO	BI	BO
1	Sensor ambient air temperature	1			
2	Transmitter of humidity ambient air	1			
3	Sensor external air temperature	1			
4	Transmitter of humidity external air	1			
5	(Automatic Position) Self. 01			1	
6	(Automatic Position) Self. 02			1	
7	General Defect Self 01			1	
8	General Defect Self 02			1	
9	Status Evaporator Fan Self 01			1	
10	Status Evaporator Fan Self 02			1	
11	No Power			1	
12	On / Off Evaporator Fan of Self 01				1
13	On / Off Evaporator Fan of Self 02				1
14	On / Off Compressor of Self 01				1
15	On / Off Compressor of Self 02				1
16	Open / Close Damper of Self 01				1
17	Open / Close Damper of Self 02				1
18	General Alarm Self 01				1
19	General Alarm Self 02				1
20	Alarm high temperature ambient				1
	Total points	4		7	9



Air Filters

Table 15 - Comparative TableThick Filter

Thick Filter		
Nominal Efficiency (Thick Particles)	EN779	Ashrae 52.2
39%		
50%	G-1	MERV 1
59%		
60%		
64%		
65%	G-2	MERV 2
69%		MERV 3
70%		MERV 4
74%		
75%		
79%	G-3	MERV 5
80%		
84%		
85%		MERV 6
89%		
>90%	G-4	

Thin Filter		
Nominal Efficiency (Thin Particles)	EN779	Ashrae 52.2
20%	F-5	MERV 7
24%		
25%		MERV 8
29%		
30%		MERV 9
39%		
40%		
45%		
50%		MERV 10
55%		
59%		MERV 11
60%		
65%		

Mechanical Specifications

Tests

Wall Mounted line equipment are shipped fully tested from the factory. The standard tests consist of visual inspections, leak tests, fan start-up followed by start-up and operation of the unit.

Trane offers the following factory tests: Basic production test with inspector. Performance test.

Complete test with or without an inspector present.

Cabinet

The cabinet is constituted of low drain pan, structural sides, covers front/back and superior covers. The superior cover has inclination that allows the drainage of water in the opposite direction in the wall. It's constructed of galvanized steel sheet, surface treatment with shop-primer of adherence, anti-corrosive, following by finish with synthetic enamel of gray color cured in greenhouse.

All of the screws, nuts and washers used are stainless steel 304 or Dacrome® system ⁽¹⁾, that provide high durability even submitted to the aggressive atmosphere.

In accordance to the ASHRAE Standard 62-89 for Indoor Air Quality, Trane has developed an exclusive and innovative design for the drain pan. This design insures proper drainage, preventing conditions of water stagnation that could result in microbial growth.

The cabinet is isolated indoor with "Bidim", providing excellent acoustic and thermal insulating without the dragging fiber with the air flow.

The compressor can be mounted of right or left side of cabinet, facilitating the ac-

cess for inspection or maintenance.

Assembly

The installation of equipment in the wall is made through lateral brims. In the air supply and air return points possesses collars that help to guide the equipment in the correct position exist.

Servicing

The access in the internal components are simple and trouble-free, not being necessary to remove the equipment of wall for inspections or maintenance. All the components are accessed through the back covers or the lateral windows. Besides, the compressor can be installed in two positions (left or right).

Scroll Compressor

All compressors of the Wall Mounted line are Scroll type. They are of high efficiency using ports instead of valves, which eliminates possible breakdowns.

- They have 64% fewer moveable parts than a reciprocating compressor of the same capacity.
- Their operation is extremely smooth and silent.
- Low torque variation, increasing the useful life of the motor considerably.

(1) The leading water-based inorganic metal finishing system recognized around the world as a proven and cost effective alternative to both electro and mechanical platings and solvent-based organics, and our various sealers. **Dacromet** and topcoats can be applied to a variety of substrates in order to provide corrosion protection to ferrous metals.



Mechanical Specifications

Coils

All the coils (evaporator and condenser) use tubes with 3/8" external diameter and high efficiency aluminum flange, "Trane Wavy 3B" model, mounted on the evaporator coil with 11 fins per foot, and on the condenser with 12 fins per foot.

The copper tubes are expanded mechanically to guarantee perfect contact between fin and tube. All the coils are tested for leaks. All the coils are tested at a pressure in factory.

The tray for condensation water was designed according to the interior air quality standard of ASHRAE.

Fans

Direct-drive condenser fans and evaporator fans are dynamically balanced.

The evaporator fan is axial type and condenser fan is centrifugal type.

Air Filter

The equipments are usually supplied with disposable air filters of glass wool with thickness of 2 in, filtering degree ABNT-G4. However the existent casement allows the optional inclusion of pre-filtering of electrostatic washable fabric with thickness of 1/4 in, filtering degree ABNT-G0.

Cooling cycle: Components

The compressor of units 4 Ton and 5 Ton has valves type "rotalock" in the suction and the discharge lines. The units of 2 Ton and 3 Ton the piping is welded directly to the compressor. The liquid line has drying filter with welded connection.

They are available inspection points in the discharge, liquid and suction lines. The expansion valve is of the thermostatic type with external equalization.

Safety and Protection Devices

- General Circuit Break.
- High pressure gauge - cartridge type - automatic resets (395 +/- 15 psig OFF - 280 +/- 20 psig ON).
- Low pressure gauge - cartridge type - automatic resets (25 +/- 8 psig OFF - 80 +/- 12 psig ON).
- Control pressure gauge of having condensed - cartridge type - automatic resets (185 +/- 15 psig OFF - 300 +/- 15 psig ON). This pressure gauge act on the condenser fan motor, allowing the operation of equipment with low temperature of external air.
- Overload thermal relay for the fan motors of compressor, condenser and evaporator.
- Control box has fuses protection

Electric Panel

Standard electric panel indoor of cabinet, with access in the back side of equipment, opening back cover. All the components are selected by Trane, guaranteed perfect operation to the users.



Conversion Table

To convert from:

Length
Feet (ft)
Inche (in)

Area

Square feet (ft²)
Square inche(in²)

Volume

Cubic feet (ft³)
Cubic Inches (in³)
Gallons (gal)
Gallons (gal)

Flow

Cubic feet / min (cfm)
Cubic feet / min (cfm)
Gallons / min (GPM)
Gallons / min (GPM)

To:

meters (m)
millimeters (mm)

square meters(m²)
square milimeters(mm²)

cubic meters(m³)
cubic milimeters (mm³)
litres (L)
cubic meters (m³)

cubic meters / second (m³/s)
cubic meters / hour (m³/h)
cubic meters / hour (m³/h)
litres / second (L/s)

Multiply By:

0,30481
25,4

0,93
645,2

0,0283
16387
3,785
0,003785

0,000472
1,69884
0,2271
0,06308

To convert from:

Velocity

Feet per minute (ft/min)
Feet per second (ft/s)

Energy, Power and Capacity

British Termal Units (BTU)
British Termal Units (BTU)
Tons (refrig. Effect)
Tons (refrig. Effect)
Horsepower (HP)

Pressão

Feet of water (ft.H₂O)
Inches os water (in.H₂O)
Pounds per square inch (PSI)
Pounds per square inch (PSI)

Peso

Ounces (oz)
Pounds (lbs)

To:

meters per second (m/s)
meters per second (m/s)

Kilowatt (kW)
Kilocalorie (kcal)
Kilowatt (kW)
Kilocalorie per hour (kcal/h)
Kilowatt (kW)

Pascal (Pa)
Pascal (Pa)
Pascal (Pa)
Bar ou kg/cm²

Kilograms (kg)
Kilograms (kg)

Multiply By:

0,00508
0,3048

0,000293
0,252
3,516
3024
0,7457

2990
249
6895
6,895 x 10⁻⁴

0,02835
0,4536

Temperature		
°C	C ou F	°F
-40,0	-40	-40
-39,4	-39	-38,2
-38,9	-38	-36,4
-38,3	-37	-34,6
-37,8	-36	-32,8
-37,2	-35	-31
-36,7	-34	-29,2
-36,1	-33	-27,4
-35,6	-32	-25,6
-35,0	-31	-23,8
-34,4	-30	-22
-33,9	-29	-20,2
-33,3	-28	-18,4
-32,8	-27	-16,6
-32,2	-26	-14,8
-31,7	-25	-13
-31,1	-24	-11,2
-30,6	-23	-9,4
-30,0	-22	-7,6
-29,4	-21	-5,8
-28,9	-20	-4
-28,3	-19	-2,2
-27,8	-18	-0,4
-27,2	-17	1,4
-26,7	-16	3,2
-26,1	-15	5
-25,6	-14	6,8
-25,0	-13	8,6
-24,4	-12	10,4
-23,9	-11	12,2
-23,3	-10	14
-22,8	-9	15,8
-22,2	-8	17,6
-21,7	-7	19,4
-21,1	-6	21,2
-20,6	-5	23
-20,0	-4	24,8
-19,4	-3	26,6
-18,9	-2	28,4
-18,3	-1	30,2
-17,8	0	32
-17,2	1	33,8
-16,7	2	35,6
-16,1	3	37,4
-15,6	4	39,2

Temperature		
°C	C ou F	°F
-15,0	5	41
-14,4	6	42,8
-13,9	7	44,6
-13,3	8	46,4
-12,8	9	48,2
-12,2	10	50
-11,7	11	51,8
-11,1	12	53,6
-10,6	13	55,4
-10,0	14	57,2
-9,4	15	59
-8,9	16	60,8
-8,3	17	62,6
-7,8	18	64,4
-7,2	19	66,2
-6,7	20	68
-6,1	21	69,8
-5,6	22	71,6
-5,0	23	73,4
-4,4	24	75,2
-3,9	25	77
-3,3	26	78,8
-2,8	27	80,6
-2,2	28	82,4
-1,7	29	84,2
-1,1	30	86
-0,6	31	87,8
0,0	32	89,6
0,6	33	91,4
1,1	34	93,2
1,7	35	95
2,2	36	96,8
2,8	37	98,6
3,3	38	100,4
3,9	39	102,2
4,4	40	104
5,0	41	105,8
5,6	42	107,6
6,1	43	109,4
6,7	44	111,2
7,2	45	113
7,8	46	114,8
8,3	47	116,6
8,9	48	118,4
9,4	49	120,2

Temperature		
°C	C ou F	°F
10,0	50	122
10,6	51	123,8
11,1	52	125,6
11,7	53	127,4
12,2	54	129,2
12,8	55	131
13,3	56	132,8
13,9	57	134,6
14,4	58	136,4
15,0	59	138,2
15,6	60	140
16,1	61	141,8
16,7	62	143,6
17,2	63	145,4
17,8	64	147,2
18,3	65	149
18,9	66	150,8
19,4	67	152,6
20,0	68	154,4
20,6	69	156,2
21,1	70	158
21,7	71	159,8
22,2	72	161,6
22,8	73	163,4
23,3	74	165,2
23,9	75	167
24,4	76	168,8
25,0	77	170,6
25,6	78	172,4
26,1	79	174,2
26,7	80	176
27,2	81	177,8
27,8	82	179,6
28,3	83	181,4
28,9	84	183,2
29,4	85	185
30,0	86	186,8
30,6	87	188,6
31,1	88	190,4
31,7	89	192,2
32,2	90	194
32,8	91	195,8
33,3	92	197,6
33,9	93	199,4
34,4	94	201,2

Temperature		
°C	C ou F	°F
35,0	95	203
35,6	96	204,8
36,1	97	206,6
36,7	98	208,4
37,2	99	210,2
37,8	100	212
38,3	101	213,8
38,9	102	215,6
39,4	103	217,4
40,0	104	219,2
40,6	105	221
41,1	106	222,8
41,7	107	224,6
42,2	108	226,4
42,8	109	228,2
43,3	110	230
43,9	111	231,8
44,4	112	233,6
45,0	113	235,4
45,6	114	237,2
46,1	115	239
46,7	116	240,8
47,2	117	242,6
47,8	118	244,4
48,3	119	246,2
48,9	120	248
49,4	121	249,8
50,0	122	251,6
50,6	123	253,4
51,1	124	255,2
51,7	125	257
52,2	126	258,8
52,8	127	260,6
53,3	128	262,4
53,9	129	264,2
54,4	130	266
55,0	131	267,8
55,6	132	269,6
56,1	133	271,4
56,7	134	273,2
57,2	135	275
57,8	136	276,8
58,3	137	278,6
58,9	138	280,4
59,4	139	282,2

Temperature		
°C	C ou F	°F
60,0	140	284
60,6	141	285,8
61,1	142	287,6
61,7	143	289,4
62,2	144	291,2
62,8	145	293
63,3	146	294,8
63,9	147	296,6
64,4	148	298,4
65,0	149	300,2
65,6	150	302
66,1	151	303,8
66,7	152	305,6
67,2	153	307,4
67,8	154	309,2
68,3	155	311
68,9	156	312,8
69,4	157	314,6
70,0	158	316,4
70,6	159	318,2
71,1	160	320
71,7	161	321,8
72,2	162	323,6
72,8	163	325,4
73,3	164	327,2
73,9	165	329
74,4	166	330,8
75,0	167	332,6
75,6	168	334,4
76,1	169	336,2
76,7	170	338
77,2	171	339,8
77,8	172	341,6
78,3	173	343,4
78,9	174	345,2
79,4	175	347
80,0	176	348,8
80,6	177	350,6
81,1	178	352,4
81,7	179	354,2
82,2	180	356
82,8	181	357,8
83,3	182	359,6
83,9	183	361,4
84,4	184	363,2



Trane optimizes the performance of homes and buildings around the world. A business of Ingersoll Rand, the leader in creating and sustaining safe, comfortable and energy efficient environments, Trane offers a broad portfolio of advanced controls and HVAC systems, comprehensive building services, and parts. For more information, visit www.trane.com.br

Trane has a policy of continuous product and product data improvement and reserves the right to change design and specifications without notice.

© 2016 Trane
All rights reserved
PKG-PRC005B-EN January 2016
Supersedes PKG-PRC005A-EN June 2013

We are committed to environmentally friendly printing practices that reduce waste.



Ingersoll Rand